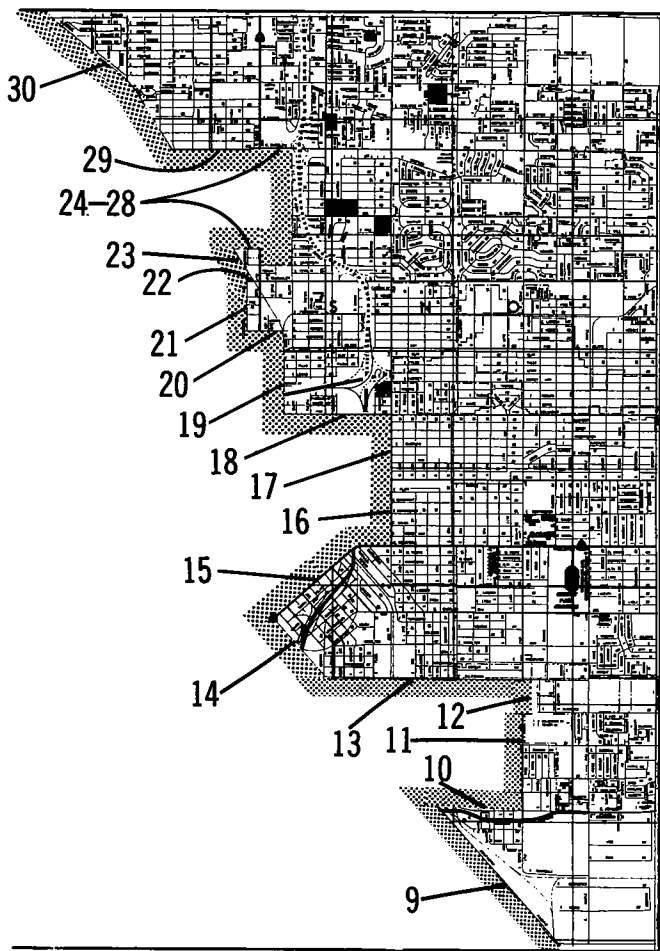
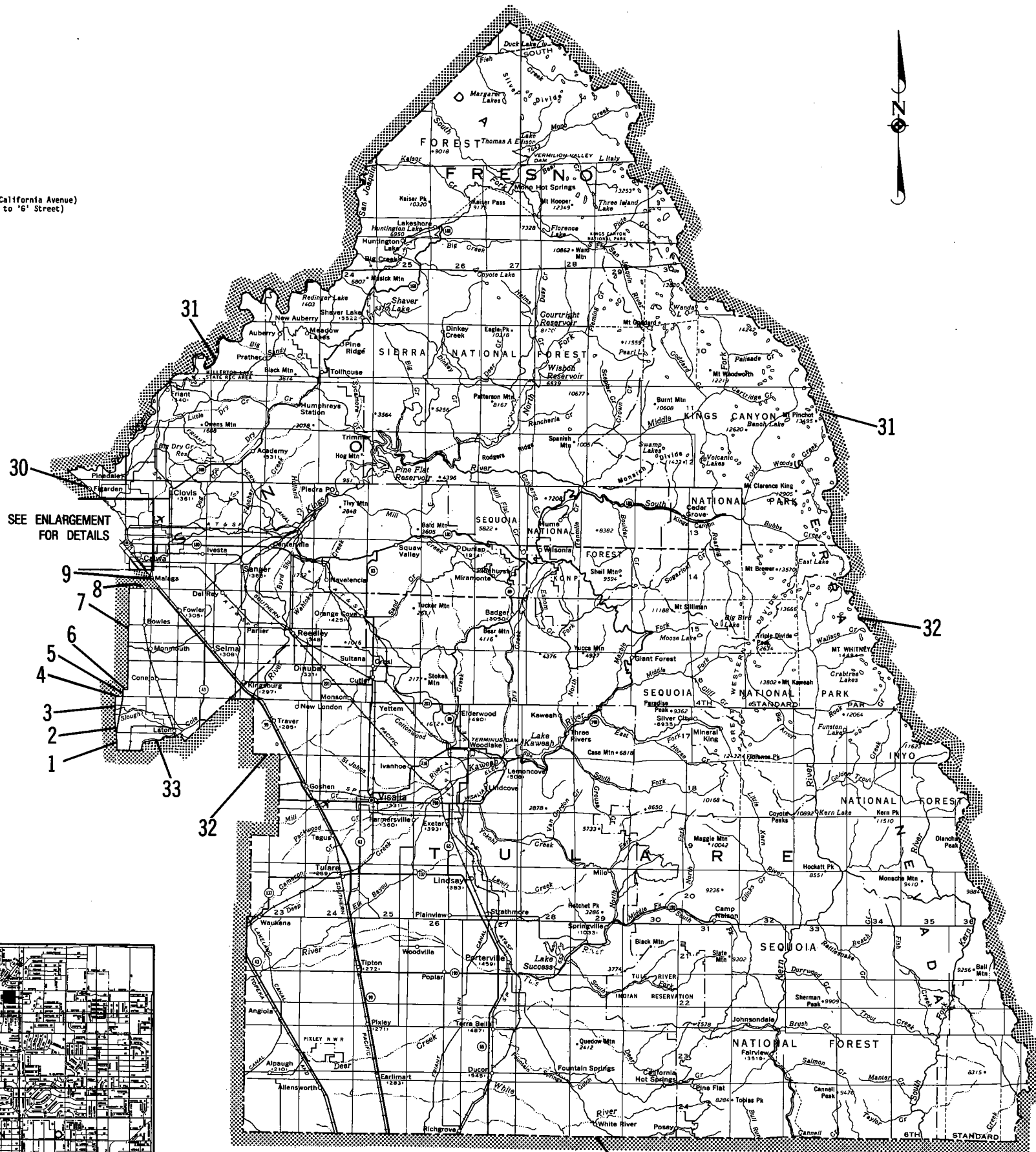


INDEX OF BOUNDARIES

1. Elm Avenue
2. Elm Avenue Extension
3. Elm Avenue
4. Elkhorn Avenue
5. Elm Avenue
6. Clarkson Avenue
7. South East Avenue
8. American Avenue
9. Southern Pacific Railroad
10. East Jensen Avenue
11. South Cedar Avenue
12. Fresno City Limit
13. Southern Pacific Railroad (at East California Avenue)
14. Southern Pacific Railroad (parallel to 'G' Street)
15. Ventura Avenue
16. South 1st Street
17. North 1st Street
18. East Belmont Avenue
19. AT & SF Railroad
20. Hedges Avenue
21. Calaveras Street
22. West McKinley Avenue
23. AT & SF Railroad
24. East Weldon Avenue
25. N. Blackstone Avenue
26. East University Avenue
27. North Clark Street
28. East Shields Avenue
29. Shields Avenue
30. AT & SF Railroad
31. Fresno County Line
32. Tulare County Line
33. Fresno County Line



ENLARGEMENT

FOR OFFICIAL USE ONLY

Published by the California Legislature from Base Map material furnished as a public service by the Automobile Club of Southern California and the California State Automobile Association Copyright Owners. Reproduction of this map is prohibited without consent of the copyright owner.

SENATE DISTRICT 15

CALIFORNIA STATE SENATE
 1982 REAPPORTIONMENT PLAN
 (Senate Bill 3X, 1982 Extraordinary Session)

Bill Lockyer, Chairman
 Senate Elections & Reapportionment Committee
 Users noting errors or revisions on this map, please contact the office of the Senate Elections & Reapportionment Committee, State Capitol.